

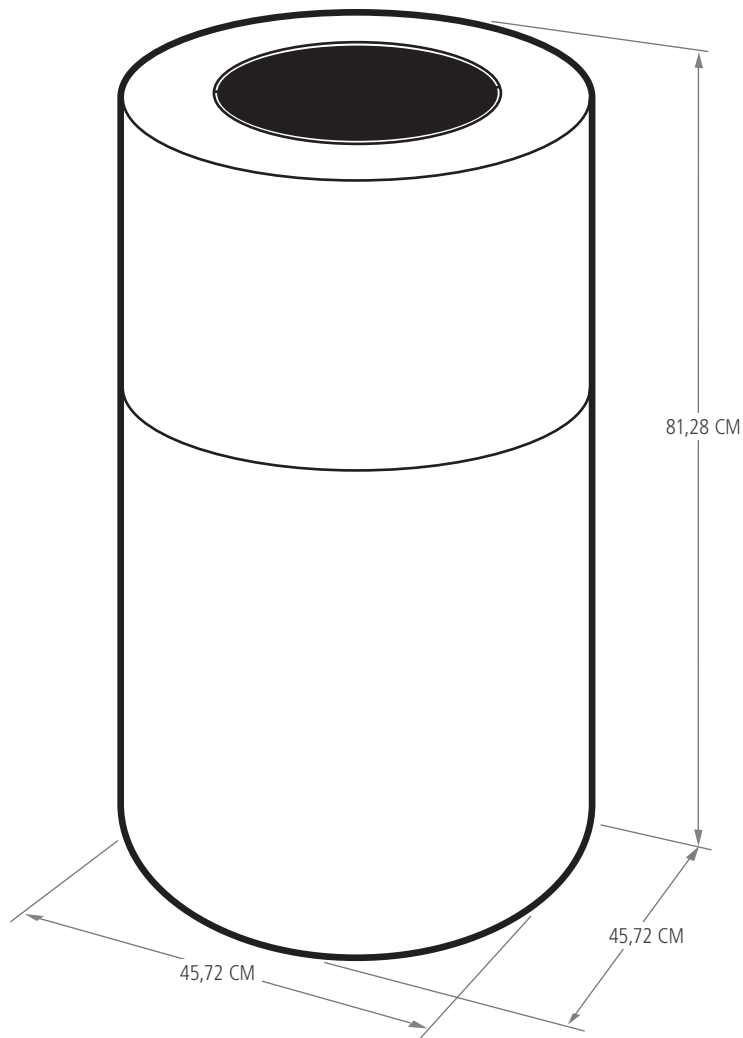


# ATRIUM® OPEN TOP

Durable and corrosion-resistant, the Atrium® decorative refuse indoor container has a clean, classic look. Exterior surfaces are highly polished for a smooth and blemish-free appearance.

## Features and Benefits:

- The Open Top style has a large opening for easy waste disposal
- Fire-safe construction
- Leak-proof galvanized or rigid plastic liner included to contain liquids and keep the surrounding area cleaner
- Corrosion-resistant material for lasting durability
- High-quality polish eliminates blemishes
- Designed to conceal and securely hold liner bags out of sight
- Shipped fully assembled



## ATRIUM® OPEN TOP

SKU #	DESCRIPTION	COLOUR	LENGTH CM	WIDTH CM	HEIGHT CM	PACK SIZE
FGAOT35SA	ATRIUM™ ALUMINIUM 132.5 L	☐	45,72	45,72	81,28	1
FGAOT35SAGL	ATRIUM OPEN TOP 79L/21G SA	☐	45,72	45,72	81,28	1

## SHIPPING INFORMATION

SKU #	COUNTRY OF ORIGIN	EAN PRODUCT CODE	BARCODE CARTON	CUSTOM CODE	CARTON DIMENSIONS (CM)	WEIGHT	VOLUME M3
FGAOT35SA	CHINA	97591002124	97591002124	7612901090	86,4 x 52,1 x 52,1	17.69	0,234
FGAOT35SAGL	CHINA	97591041758	97591041758	7612901090	48,26 x 48,26 x 87,63	14.787	0,204

